

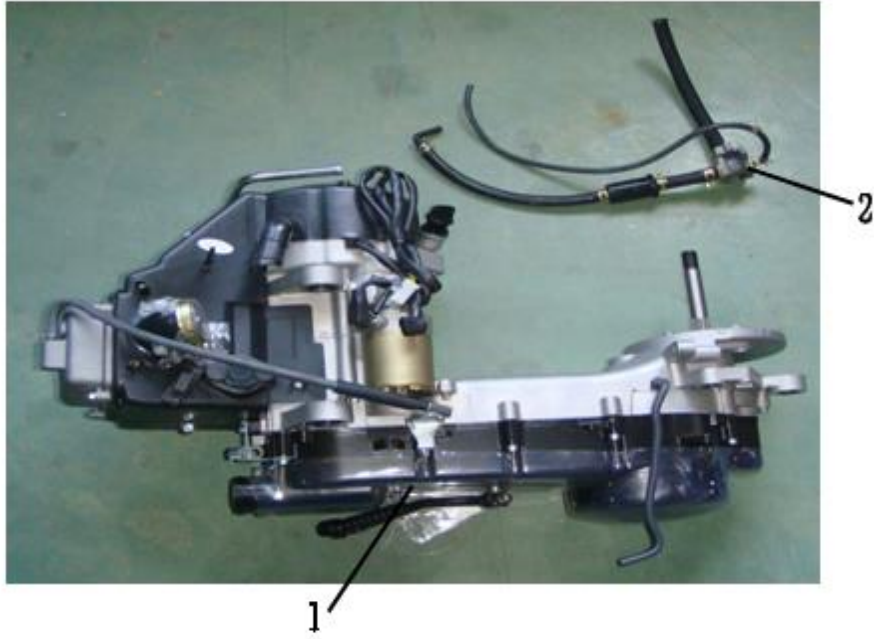


Bintelli

Fury 150cc Engine

GY7 150CC

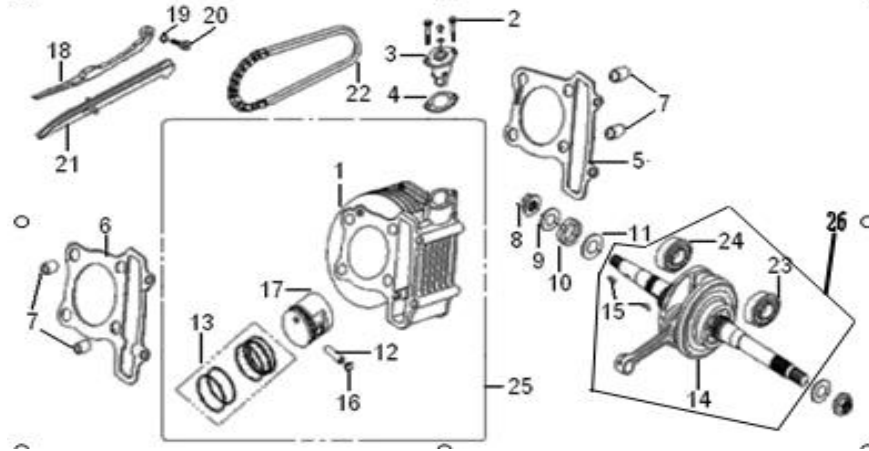
FIG 1 - MOTOR



	Part Number	Description	Notes	Qty
1	10000-GY7A-9000-CC-2	Fury 150cc Engine		1
2	1865A-GY6A-9000	Combination of one valve assembly		1

GY7 150CC

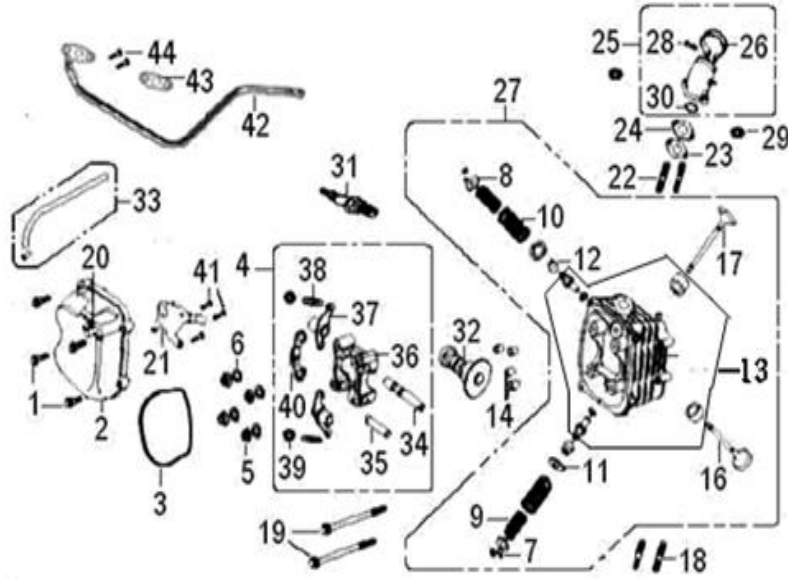
FIG 2 - Cylinder



	Part Number	Description	Notes	Qty
1	12100-GY7F-9000	Cylinder		1
2	90001-06022-08	Bolt M6x22		2
3	14520-GY6A-9000	Chain adjuster assy		1
4	14523--GY6A-9000	Gasket chain adjuster		1
5	12191-GY7A-9000	Cylinder pad of paper		1
6	12251-GY6F-9000	Gasket cylinder head		1
7	94310-10160	Pin dowel 10x16		4
8	94050-12080	Nut M12x1.25 (11)		2
9	90440-GY6A-9000	Washer (12x24x2)		2
10	90201-02212-08	Lock nut, crankshaft (M22x1x6)		1
11	90403--GY6A-9000	Washer (22x39x2)		1
12	13111-GY6F-9000	Piston pin		1
13	13011-GY6F-9000	Piston ring .comp		1
14	13010-GY6A-9000	Crank and connecting rod assembly		1
15	90701-GY6A-9000	Woodruff key		2
16	94601-15000	Clip piston pin		2
17	13101-GY6F-9000	Piston		1
18	14510-GY6A-9000	Tension rod chain		1
19	91301-GY6A-9000	O-ring 15.2x1.5		1
20	14531-GY6A-9000	Cam chain screw		1
21	14610-GY6A-9000	Guide comp chain		1
22	14401-GY7A-9000	Timing chain		1
23	91002-63220-00	Crankshaft bearing sco 4A86		1
24	91002-63220-00	Crankshaft bearing sco 4A86		1
25	1310A-9030	Cylinder, piston, piston rings, circlip, piston pin group		1
26	13000-GY6A-9000	Crankshaft connecting-rod assy		1

GY7 150CC

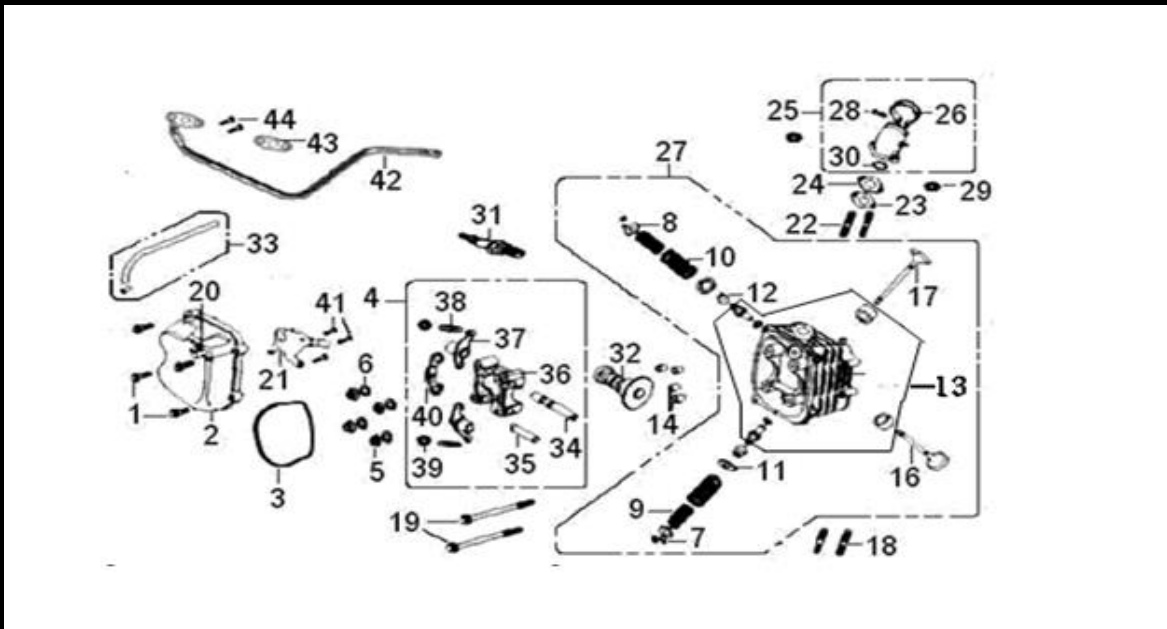
FIG 3 - Cylinder Head



	Part Number	Description	Notes	Qty
1	96001-06025-08	Bolt M6x25		4
2	12310-GY6A-9200	Cylinder head cover		1
3	12391-GY6A-9000	Gasket head cover		1
4	12211-GY7A-9000	Rocker bracket assembly		1
5	94050-08080	Nut M8		4
6	90465-GY6A-9000	Washerφ8xφ19x2		4
7	14781-GY6A-9000	Valve cone half		4
8	14771-GY6A-9000	Retainer valve spring		2
9	14761-GY7A-90000	Spring, valve inner		2
10	14751-GY7A-9000	Spring, valve outer		2
11	14775-GY6A-9000	Valve spring washer		2
12	12209-GY6A-9000	Seal valve		2
13	12200-GY7F-9100	Cylinder head		1
14	94301-10160	Bowel pin 8x14		4
16	14721-GY7A-9000	Valve intake		1
17	14711-GY7A-9000	Exhaust valve		1
18	90033-08035-08	Double end studs M8x35		2
19	96001-06100-08	Bolt M6x100		2
20	12305-GY6A-9000	Tube breather		1
21	12302-GY6A-9000	Pressure plate breather		1

GY7 150CC

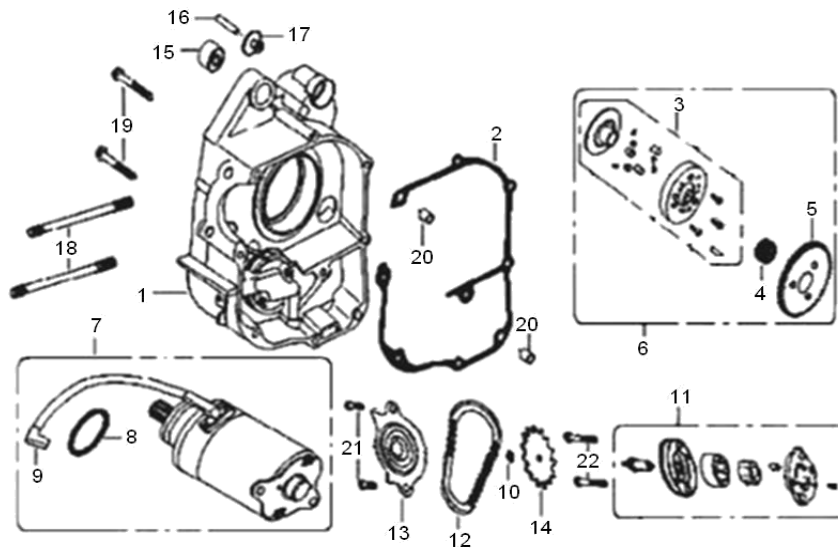
FIG 3 - Cylinder head



	Part Number	Description	Notes	Qty
22	90033-06073-08	Double end studs M6x73		2
23	16201-GY6A-9000	Gasket carburetor insulator		1
24	16211-GY6A-9000	Insulator carburetor		1
25	1711A-GY7A-9000	Inlet pipe		1
26	17256-GY6A-9000	Clip tube assy		1
27	1220A-GY7F-9100	Cylinder head assy		1
28	93500-04025-00	Screw, inlet pipe lock		1
29	94062-04000-00	Nut M6		2
30	91301-GY6A-9000	O ring 27x2.0		1
31	98056-5771R-00	Spark plugs (NGK with R)		1
32	14100-GY7A-9000	Camshaft group		1
33	11211-GY6A-9000	Air tube		1
34	14450-GY7A-9000	Intake valve rocker shaft		1
35	14452-GY7A-9000	Exhaust valve rocker shaft		1
36	12211-GY7A-9000	Holder camshaft		1
37	14431-GY7A-9000	Rocker arm inner		2
38	90012-GY6A-9000	Screw tappet adjusting		2
39	90206-GY6A-9000	Nut tappet adjusting		2
40	14111-GY6A-9000	Stoper plate		1
41	93903-04080	Screw st4x8-c-h		3
42	12321-GY6A-9100	Qi elbow extension		1
43	12322-GY6A-9100	Aerate syphon airproof gasket		1
44	96001-06018-08	Bolt M6x18		2

GY7 150CC

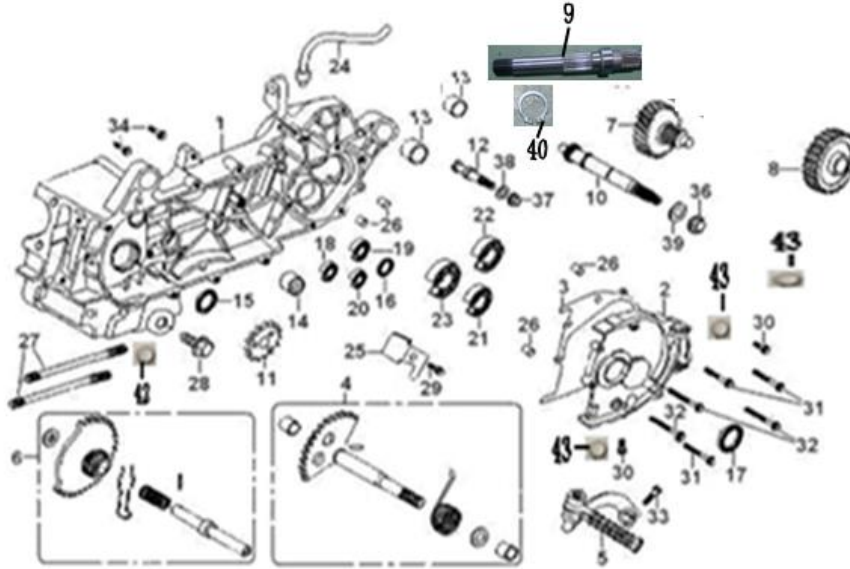
FIG 4 - Right Side Crank Case



	Part Number	Description	Notes	Qty
1	11100-GY6A-9000	Crank case comp right		1
2	11192-GY6A-9000	Gasket crandcaser		1
3	28120-GY6A-9000	Clutch assy, start		1
4	91104-GY6A-9000	Bearing needle		1
5	28110-GY6A-9000	Gear clutch assy		1
6	2812A-GY6A-9000	Clutch assy		1
7	31200-GY6A-9000	Starting motor assy		1
8	91309-GY6A-9000	O-ring	Must buy assembly	1
9	32410-GY6A-9000	Cable starting motor	Must buy assembly	1
10	94050-06080	Nut M6		1
11	15100-GY7-9000	Pump assy oil		1
12	15141-GY6A-9000	Sprocket drive		1
13	15711-GY6A-9000	Separator oil	Must buy assembly	1
14	15133-GY6A-9000	Sprocket drive		1
15	11102-GY6A-9000	Bush enging hanger		1
16	28102-GY6A-9000	Shaft starter reduction gear	Must buy assembly	1
17	28101-GY6A-9000	Gear starter reduction		1
18	90031-GY7A-9000	Double end studs M8x200		2
19	96001-06050-08	Bolt M6x50		2
20	94301-08140	Bowel pin 8x14		2
21	96001-06012-08	Bolt M6x12		2
22	96002-06030-08	Cross countersunk head bolt M6 * 30	Must buy assembly	2

GY7 150CC

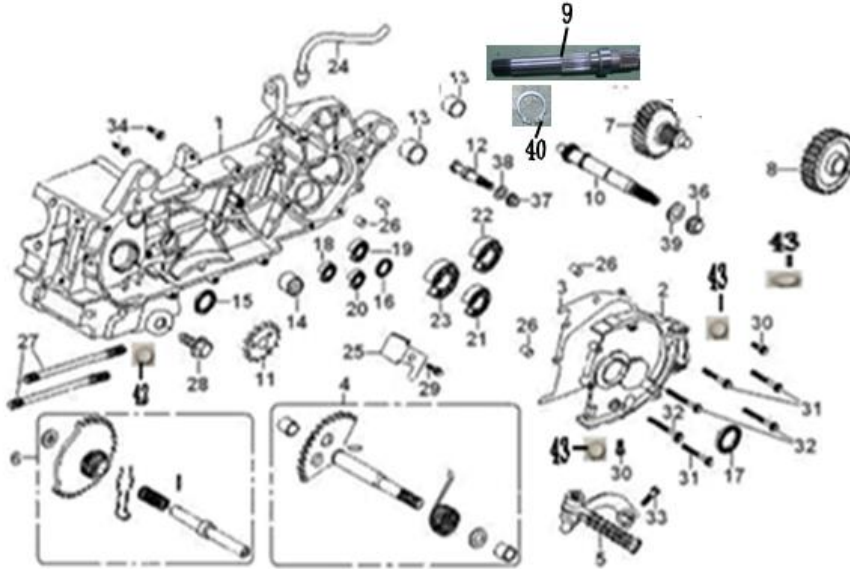
FIG 5 - Left Crank Case



	Part Number	Description	Notes	Qty
1	11200-GY6C-9000	Left crank case (extended)		1
2	21301-GY6A-9000	Gear box case		1
3	21395-GY6A-9000	Paper cushion gear		1
4	2825A-GY6A-9000	Kick start spindle assy		1
5	28300-GY6A-9000	Kick start pedal		1
6	2823A-GY6A-9000	Starting idle gear assy		1
7	23420-GY6A-9000	Mid gear		1
8	23432-GY6A-9000	Final gear		1
9	23431-GY6A-9100	Output shaft (axis)		1
10	23411-GY6A-9000	Input shaft		1
11	28221-GY6A-2000	Gear kick driven		1
12	1120B-GY6A-9000	Pin brake shoe anchor	Must buy assembly	1
13	11203-GY6A-9000	Shock absorber tube		2
14	11102-GY6A-9000	Bush enging hanger		1
15	91202-GY6A-9000	Left oil seal19.8x30x5		1
16	91255-GY6A-9000	Oil seal 27x42x7		1
17	91204-GY6A-9000	Oil seal20x32x6		1
18	96100-63010-00	Bearing radial all 6301		1
19	96100-60040-00	Bearing radial ball6004		1
20	96100-60020-00	Bearing radial ball 6002		1
21	96100-62020-00	Bearing radial ball 6202		1

GY7 150CC

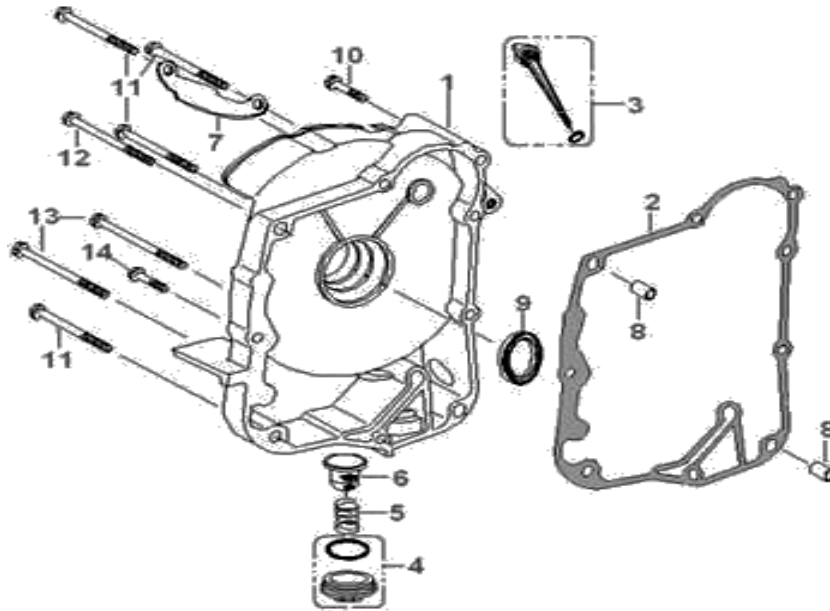
FIG 5 - Left Crank Case



	Part Number	Description	Notes	Qty
22	96100-62030-00	Bearing radial ball6203		1
23	96100-62040-00	Bearing radial ball 6204		1
24	11221-GY6A-9000	Tube breather assy	Must buy assembly	1
25	11206-GY6A-9000	Plate kick return stopper	Must buy assembly	1
26	94301-08140	Bowel pin 8x14		2
27	90032-GY7A-08	Double end studs M7x208		2
28	9052A-GY6A-9000	Oil plug		1
29	96001-06012-08	Bolt M6x12		1
30	95701-08012-08	Bolt M7x12		2
31	96001-06028-08	Bolt M6x28		4
32	96001-06035-08	Bolt M6x35		1
33	96001-06025-08	Bolt M6x25		1
34	96001-06012-08	Bolt M6x12		2
36	94050-12081	Nut M12x1.25(9)		1
37	90309-08000-00	Nut M7		1
38	91303-GY6A-9000	O-ring 7.5x1.5	Must buy assembly	1
39	90441-GY6A-9000	Washer (12x29x2)	Must buy assembly	2
40	94510-20000	Output shaft snap ring	Must buy assembly	1
42	90470-GY6A-9000	Oil drain plug gasket	Must buy assembly	1
43	90473-GY6A-9000	Gasket	Must buy assembly	2

GY7 150CC

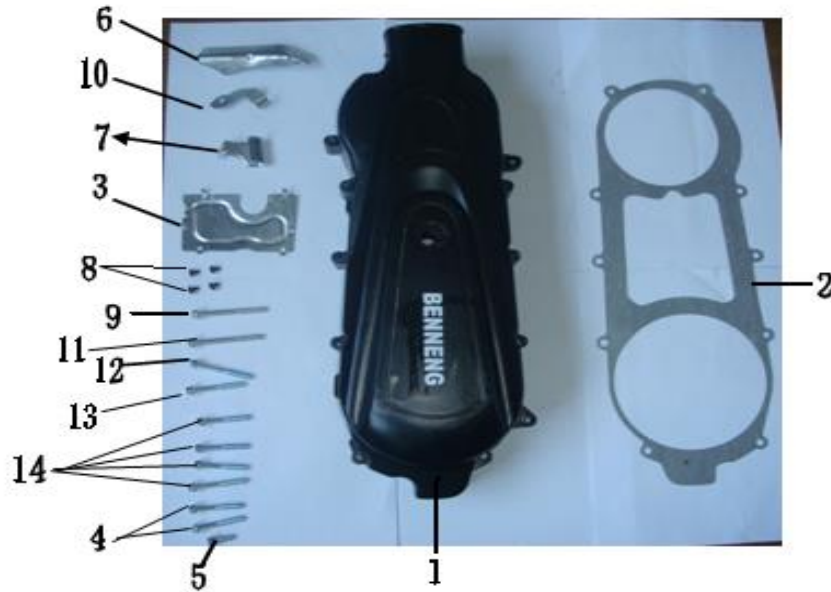
FIG 6 - Right Oil Cover



	Part Number	Description	Notes	Qty
1	11331-GY6A-9000	Right crankcase cover		1
2	11394-GY6A-9000	Right crankcase cover paper pad		1
3	15651-GY6A-9000	Oil Dip Stick		1
4	12361-GY6A-9000	O-ring and oil network cover		1
5	15426-GY6A-9000	Oil filter spring		1
6	15421-GY6A-9000	Oil network	Must buy assembly	1
7	32961-GY6A-9000	Clamber magneto	Must buy assembly	1
8	94301-08140	Dowel pin 8x14		2
9	91203-GY6A-9000	Right oil seal19.8x30x5		1
10	90001-06040-08	Bolt M6x40		1
11	96001-06095-08	Bolt M6x95		4
12	96001-06100-08	Bolt M6x100		1
13	96001-06110-08	Bolt M6x110		2
14	96001-06028-08	Bolt M6x28		1

GY7 150CC

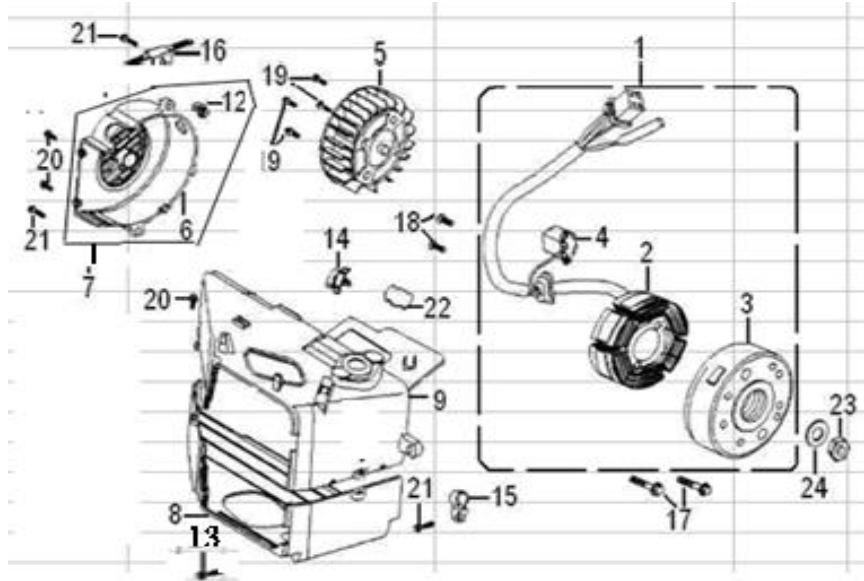
FIG 7 - Crank Case Cover



	Part Number	Description	Notes	Qty
1	11341-GY6C-9010	Left Crank Case Cover		1
2	11395-GY6F-9000	Gasket r crankcase cover		1
3	11380-GY6A-9000	Platel cover		1
4	90001-06040-08	Bolt M6x40		2
5	96001-06012-08	Bolt M6x12		1
6	50504-GY6A-9000	Plate	Must buy assembly	1
7	11382-GY6A-9000	Clamber brake cable		1
8	93903-04080	Screw 4x8		4
9	90001-06065-08	Bolt M6x65		1
10	11381-GY6A-9000	Throttle clamp		1
11	90001-06070-08	BOLT M6x70		1
12	90001-06055-08	BOLT M6x55		1
13	90001-06050-08	BOLT M6x50		1
14	90001-06040-45	BOLT M6x45		4

GY7 150CC

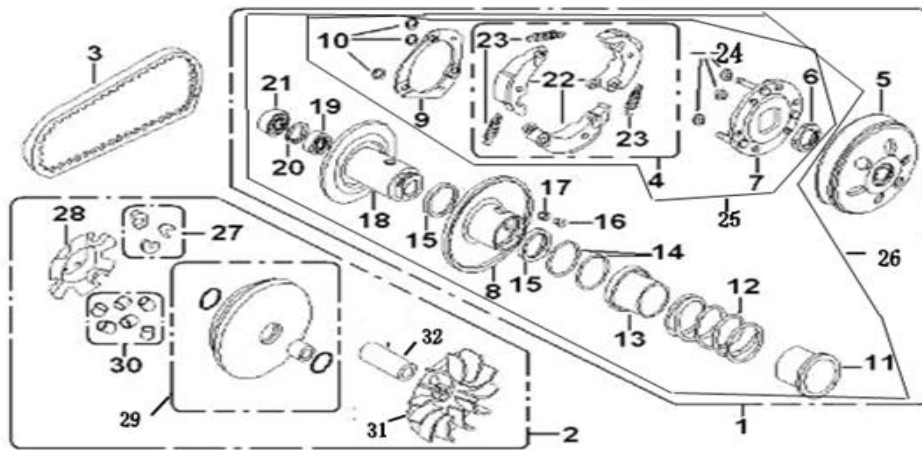
FIG 8 - FAN & ALTERNATOR



	Part Number	Description	Notes	Qty
1	31100-GY6A-9000	Magnetic motor assembly (12 pole)		1
2	31120-GY6A-9000	Magneto Coil		1
3	31110-GY6A-9000	Magneto flywheel		1
4	31130-GY6-9000	Magneto Trigger	Must buy assembly	1
5	19510-GY6A-9000	Wind wheel		1
6	19611-GY7A-9000	Bust shroud		1
7	19610-GY7A-9000	Cooling fan cover assembly		1
8	19621-GY7A-9000	Shroud comp A		1
9	19630-GY7A-9000	Shroud comp B		1
12	70529-GY6A-9000	Grommet shroud A	Must buy assembly	1
13	96002-06016-08	Phillips head screw M6 * 16		1
14	11386-GY6A-9000	Clamber breather tube		1
15	11385-GY6A-9000	Clamber overflow tube		1
16	19613-GY6A-9000	Clamber starter cable	Must buy assembly	1
17	96001-06025-08	Bolt M6x25		2
18	92101-05012-08	Bolt M5x12		2
19	96001-06018-08	Bolt M6x18		4
20	96001-06016-08	Bolt M6x16		3
21	96001-06025-08	Bolt M6x25		3
22	19633-GY6A-9000	Rubber cap, upper protection fan cover		1
23	94050-12080	Nut M12x1.25 (11)		1
24	90440-GY6A-9000	Washer 12x24x2		1

GY7 150CC

FIG 9 - Variator and Clutch



	Part Number	Description	Notes	Qty
1	23010-GY6F-9000	Pulley assy driven		1
2	22100-GY6F-9000	Driver wheel groupware		1
3	23100-GY6A-9000	Belt drive (835x30x20)		1
4	2253A-GY6A-9000	Clutch brake shoe set		1
5	2301A-GY6A-9000	Outer clutch		1
6	90202-GY6A-9000	Nut m28x1		1
7	22350-GY6A-9000	Fixing holder assy, brake shoe		1
8	23220-GY6A-9000	Face comp movable driven		1
9	22361-GY6A-9000	Plate clutch		1
10	90605-GY6A-9000	Circlip (7x9x1)		3
11	23238-GY6A-9000	Upper holder, spring		1
12	23233-GY6F-9000	Spring, driven face		1
13	23237-GY6A-9000	Lower holder, spring		1
14	91351-GY6A-9000	O-ring 39x2		2
15	91211-GY6A-9000	Oil seal 34x41x4		2
16	23225-GY6A-9000	Pin, roller guide		3
17	23226-GY6A-9000	Roller guide		3
18	23210-GY6A-9000	Driven pulley		1
19	91002-GY6A-9000	Bearing 6902		1
20	94520-28000	Circlip (9.5x11,5x1)		1
21	91001-GY6A-9000	Needle bearing 20x29x18		1
22	22530-GY6A-9000	Weight set clutch		3
23	22401-GY6A-9000	Spring clutch		3
24	22804-GY6A-90000	Rubber clutch dumper		3
25	22300-GY6A-9000	Plate assy drive		1
26	23011-GY6A-9000	Plate sub assy driven		1
27	22132-GY6A-9000	Ramp Edge Piece Set		1
28	22131-GY6A-9000	Ramp plate		1
29	22110-GY6A-9000	Sliding disk drive peer group		1
30	22121-GY6F-9000	Ball assembly (weight 17g beads)		1
31	22102-GY6A-9000	Drive belt drive fan		1
32	22105-GY6A-9000	Village sets of driving wheel		1